
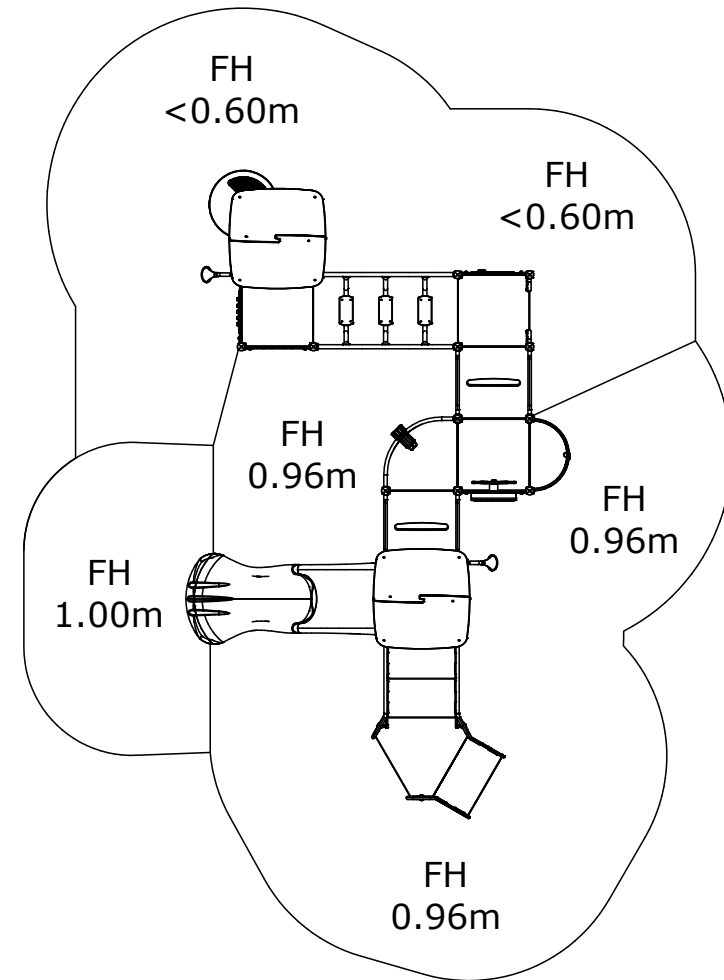
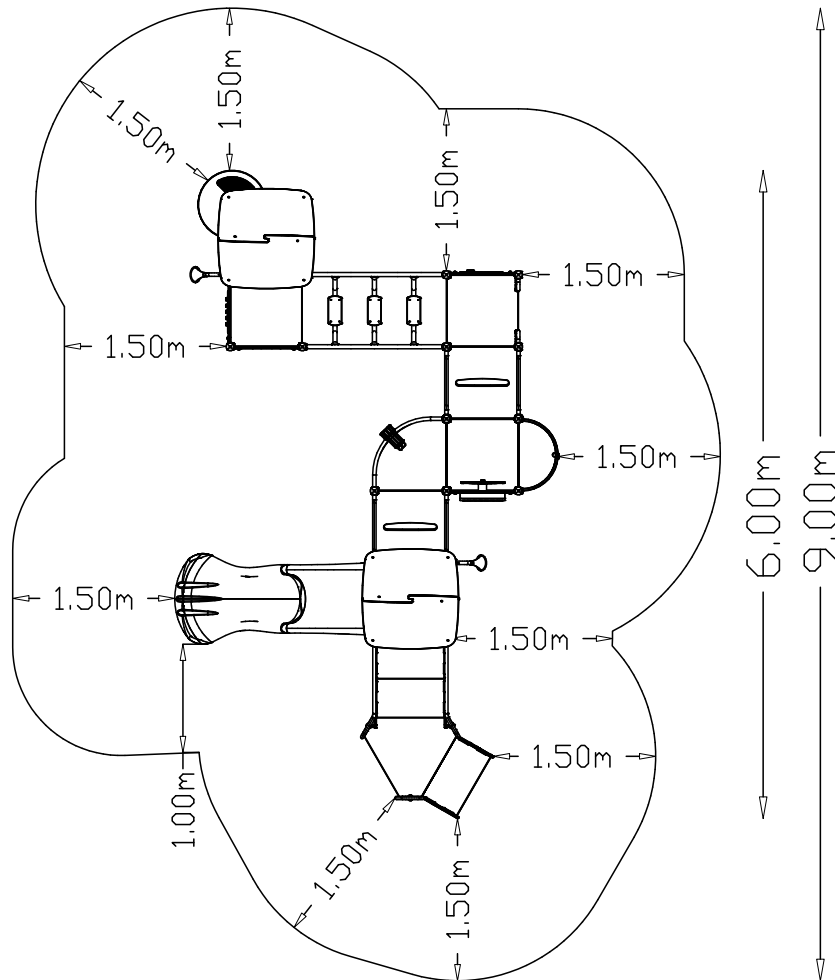
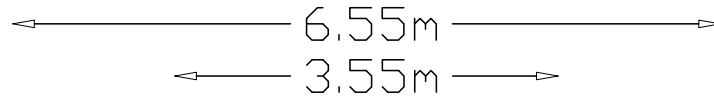


S6



EN1176
1.00m

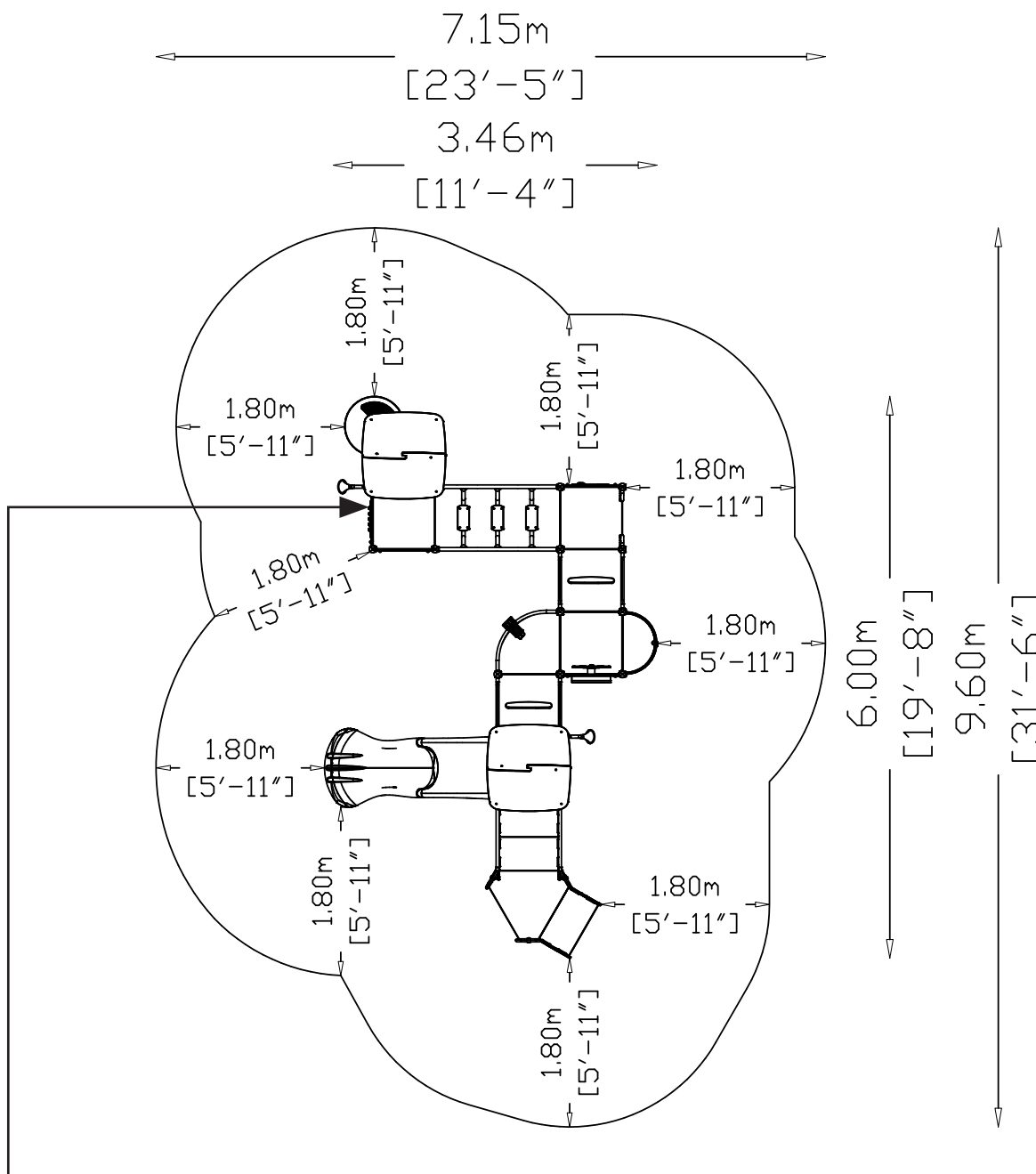
EN1176



S9

CSA Z 614
1.00m
[3'-3"]

CSA Z614



INSTALL 101

<p>WARNING</p> <p>Playground equipment used for first activities that are intended for public use may require special play or adult supervision. Always use proper safety equipment. It is essential to follow the instructions in the manual before allowing children to play.</p>	<p>WARNING</p> <p>Children are required to use the same caution as adults and other playground equipment. Before allowing children to play, verify that the equipment is properly installed, maintained, and free of damage. Check for hot surfaces before allowing children to play. Children should wear appropriate shoes at all times.</p>	<p>play smart! rules</p> <ul style="list-style-type: none"> Do not play on broken or damaged equipment. Report it. Do not play without adequate safety equipment and adult supervision. No running, pushing or shoving. If the center of the play surface and equipment are not visible, do not play. Do not play on or run on playground equipment and its structure if it is damaged. Watch your head! Do not run, climb, swing, slide, or use other equipment. Do not play on swings or any equipment if the seats or on top of seat through hole. Do not climb on walls, railings, or posts. Do not play on trees or any equipment if the seats or on top of seat through hole. Do not swing down, feet, and arms at a time. Do not slide up slides or ladders. Adults - do not slide with a child on your lap. Do not swing your child's legs. Before letting go of overhead bars, hand grips with hand your hands a little and drop straight down with both feet. Swing sitting down and do not jump while swinging. Do not touch other children.
--------------------------------------------------------------------------------------------------------------------------------------------------------------------------------------------------------------------------------------------------------------------------------------------	-------------------------------------------------------------------------------------------------------------------------------------------------------------------------------------------------------------------------------------------------------------------------------------------------------------------------------------------------------	----------------------------------------------------------------------------------------------------------------------------------------------------------------------------------------------------------------------------------------------------------------------------------------------------------------------------------------------------------------------------------------------------------------------------------------------------------------------------------------------------------------------------------------------------------------------------------------------------------------------------------------------------------------------------------------------------------------------------------------------------------------------------------------------------------------------------------------------------------------------------------------------------------------------------------------------------------------------------------------------------------------------------------------------------------------------------------------------------------------------------------------------------------------------------------

INSTALL 101

HAGS®

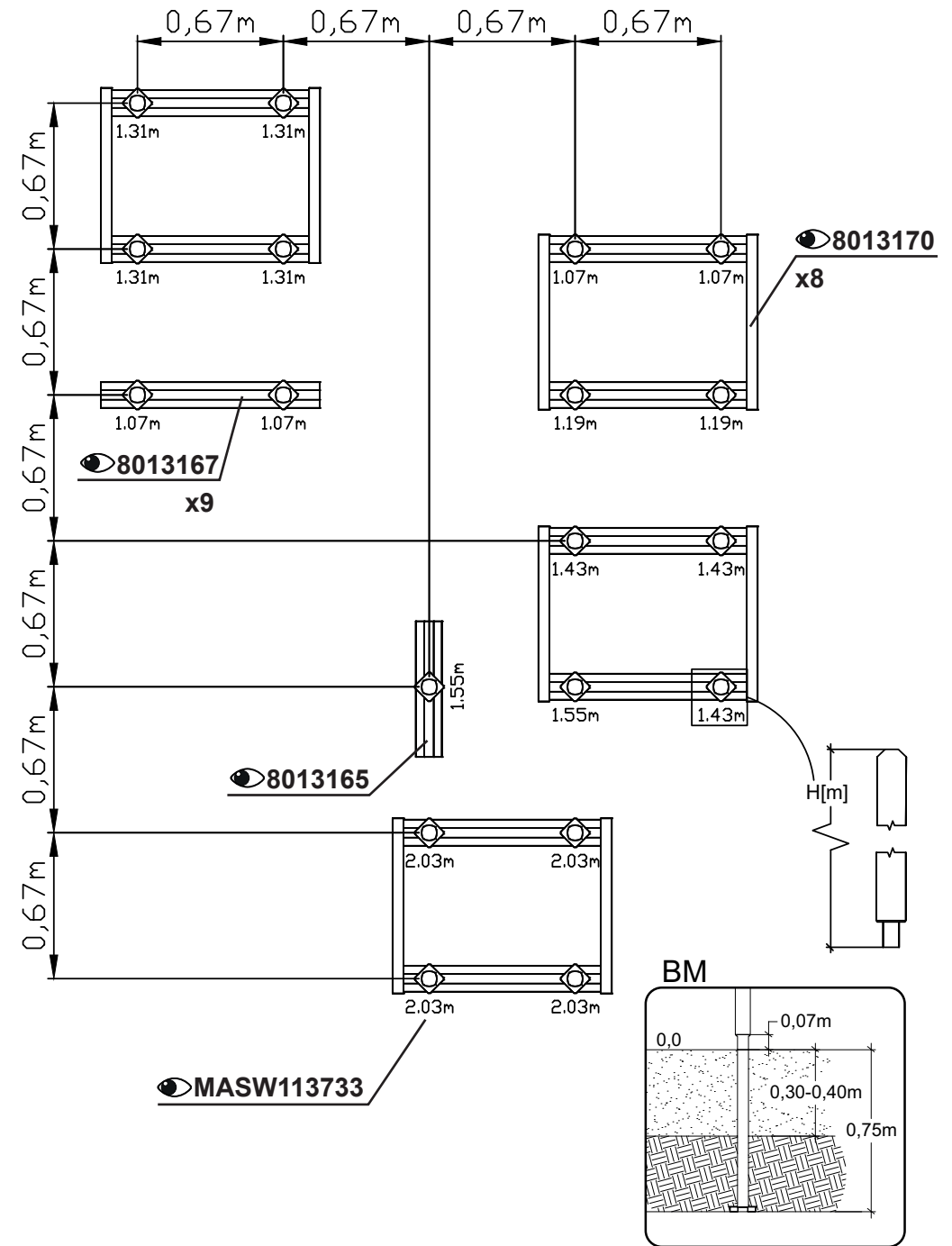
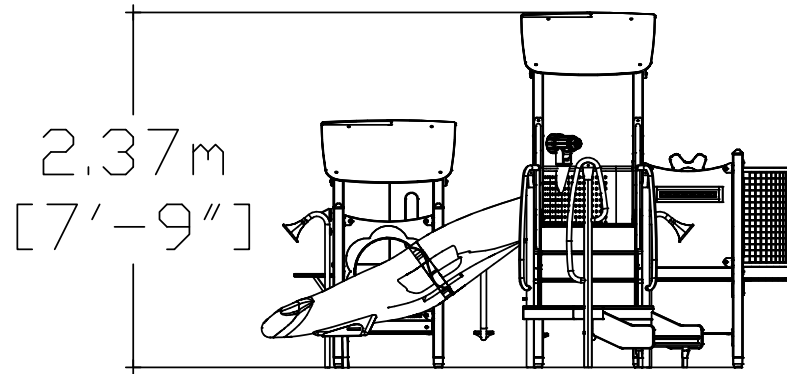
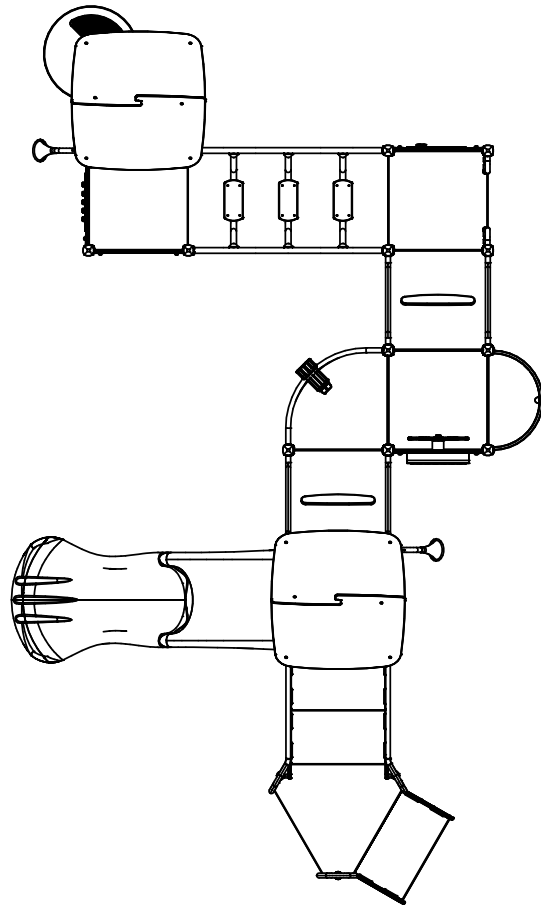
FOR KIDS AGES

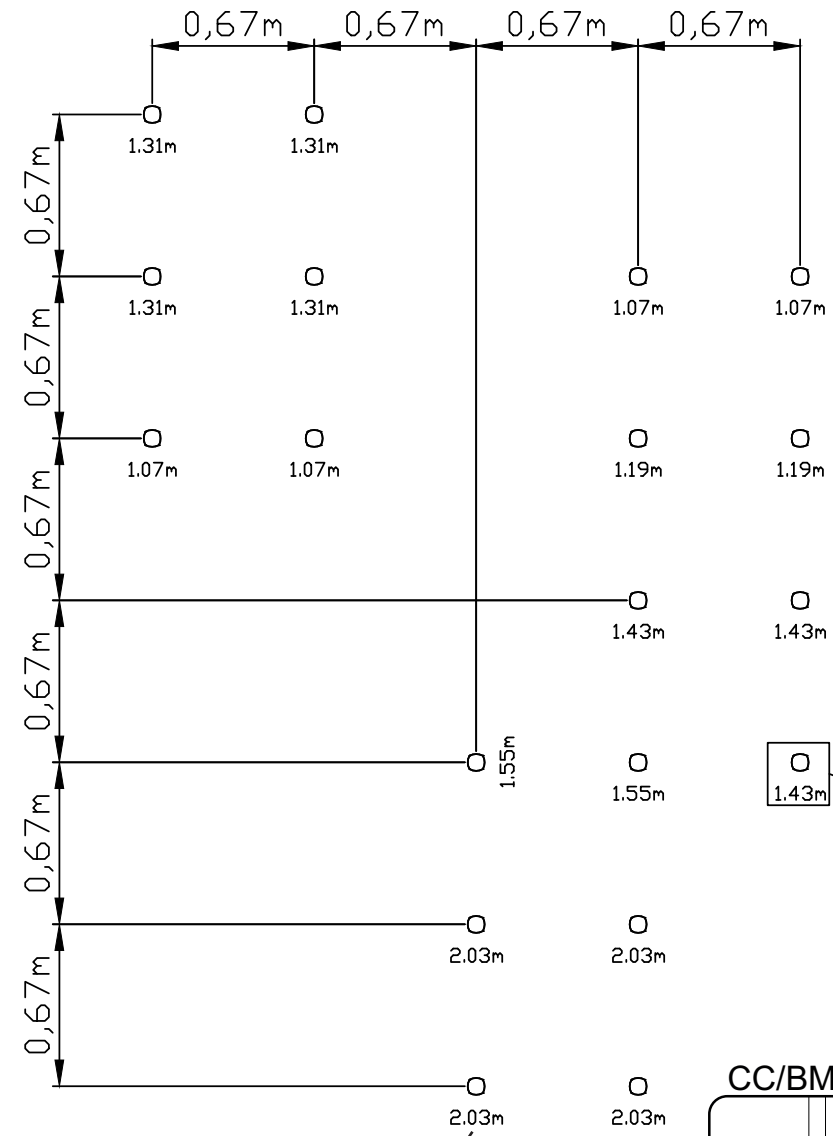
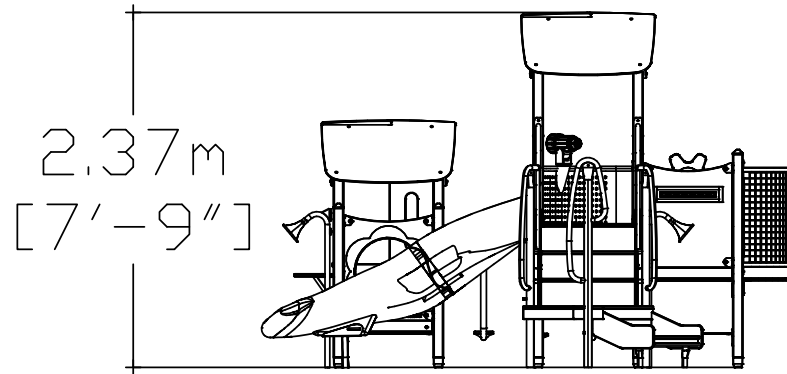
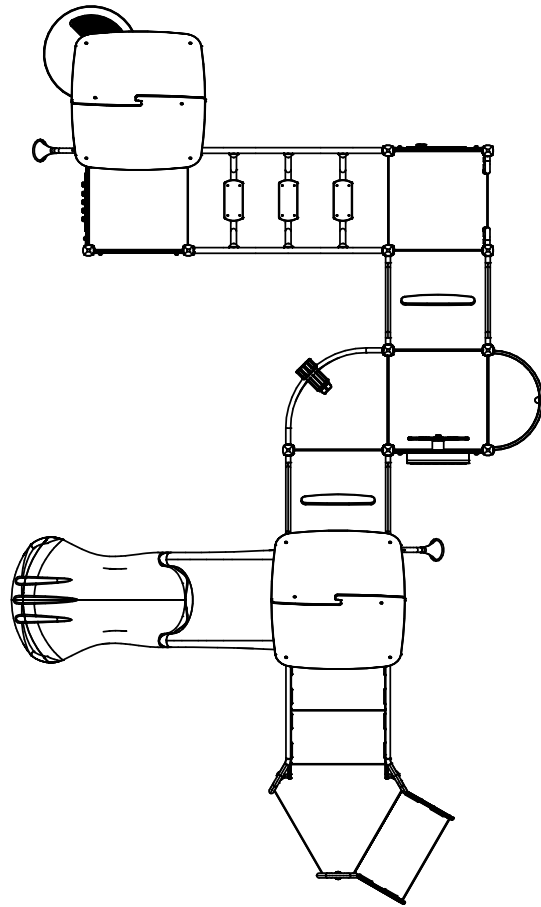
18-5

MONTHS YEARS

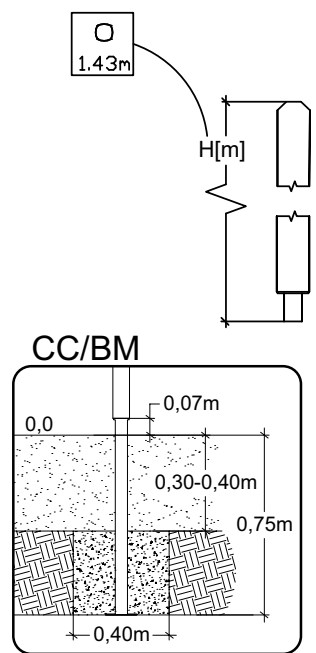
ADULT SUPERVISION RECOMMENDED

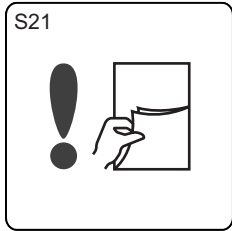
www.hags.com



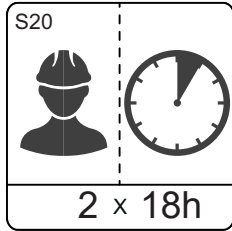


MASW113733

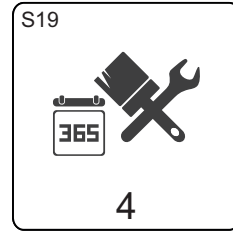
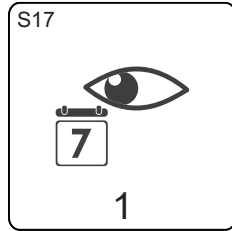




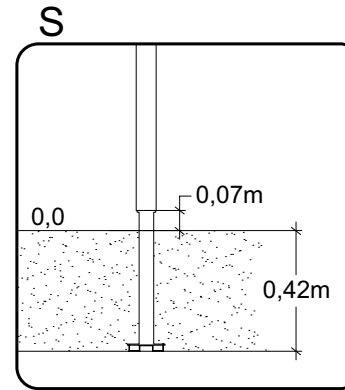
Install 101
6099
6101
6712
6762
6844
6932
6942
6952
6954
6965
260329
612313
620995
641307
641407
692213
693812
695105
42091210
6211 01
6213 01



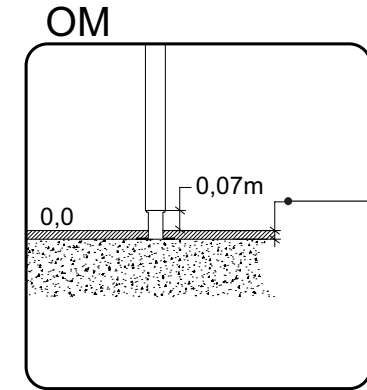
MASW113733
MASW35156
MASW39314
OM675321
MA624U675321
MAUSW117643
MAUSW117644



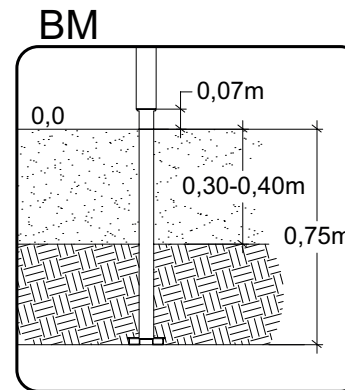
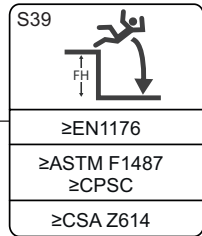
MASW113733



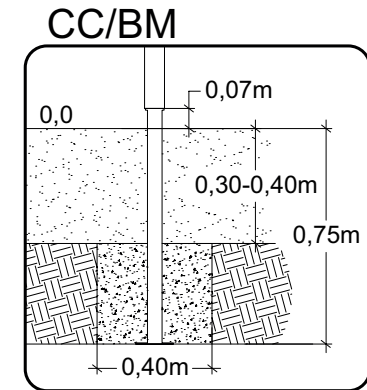
S
Sunken Foundation



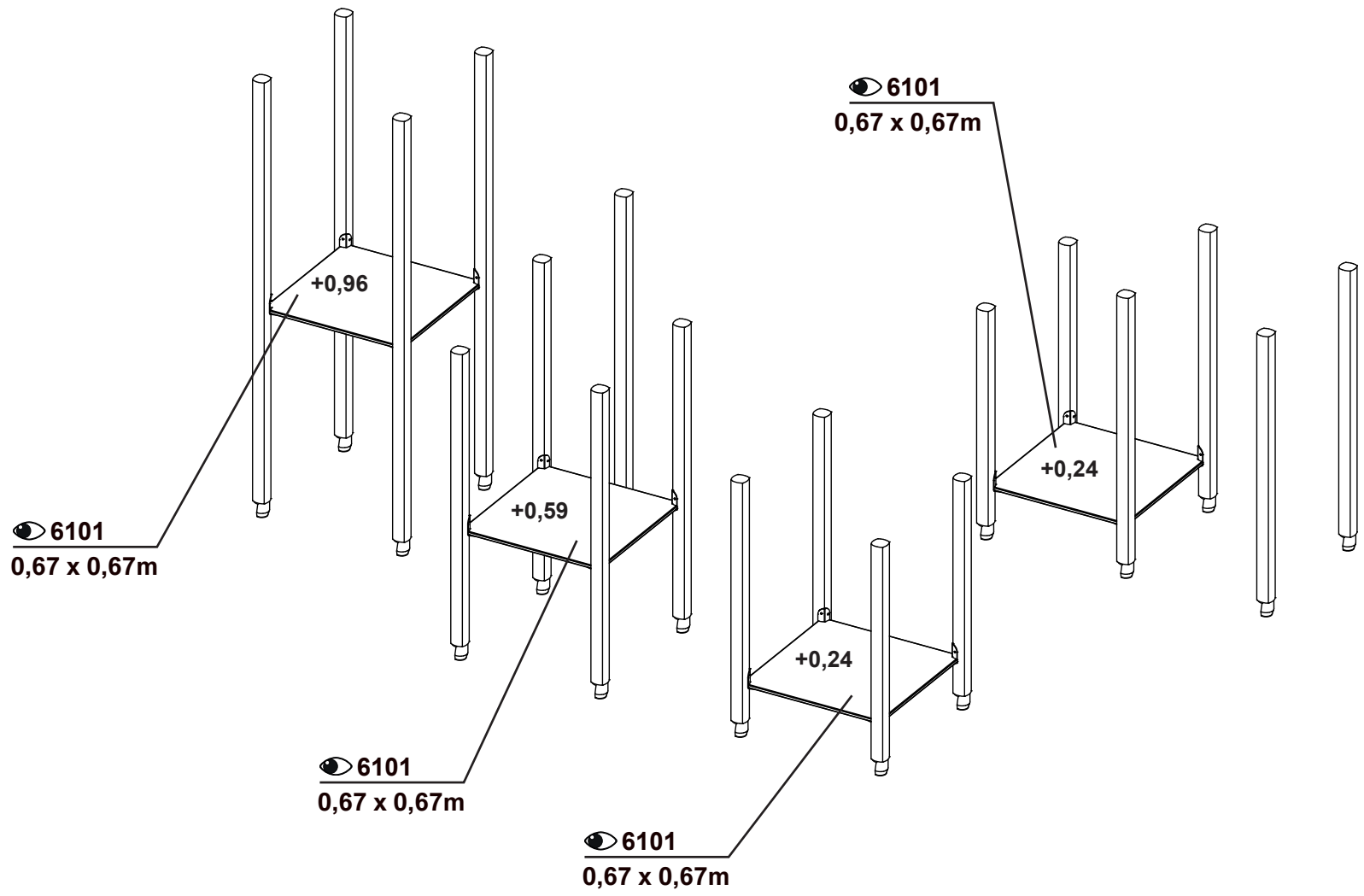
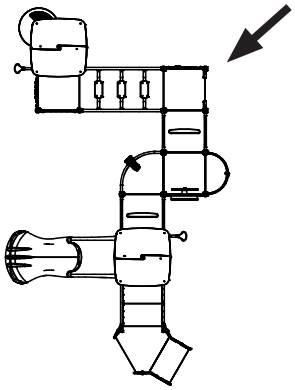
OM
Above Ground

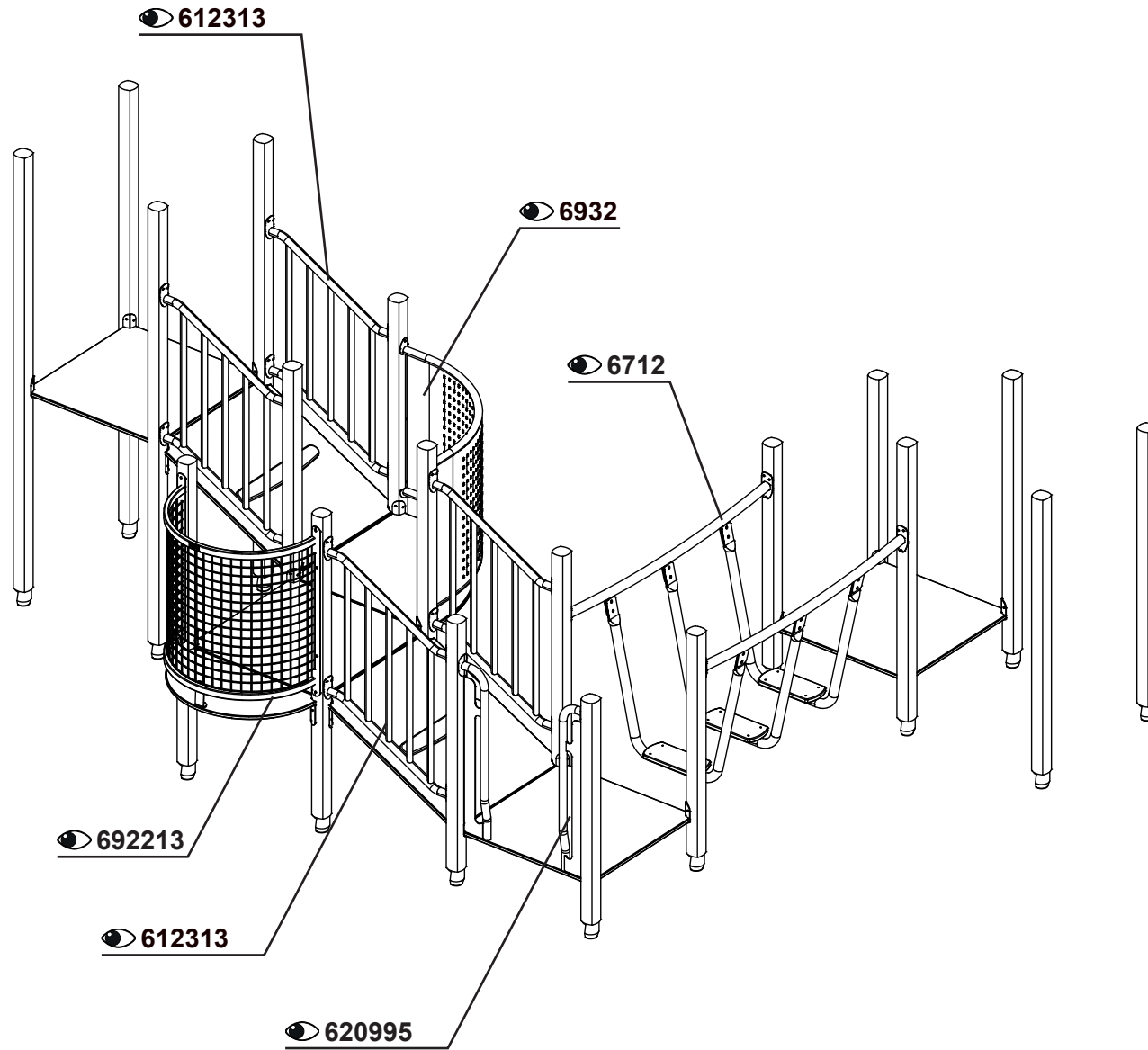
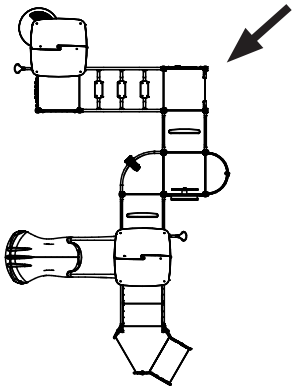


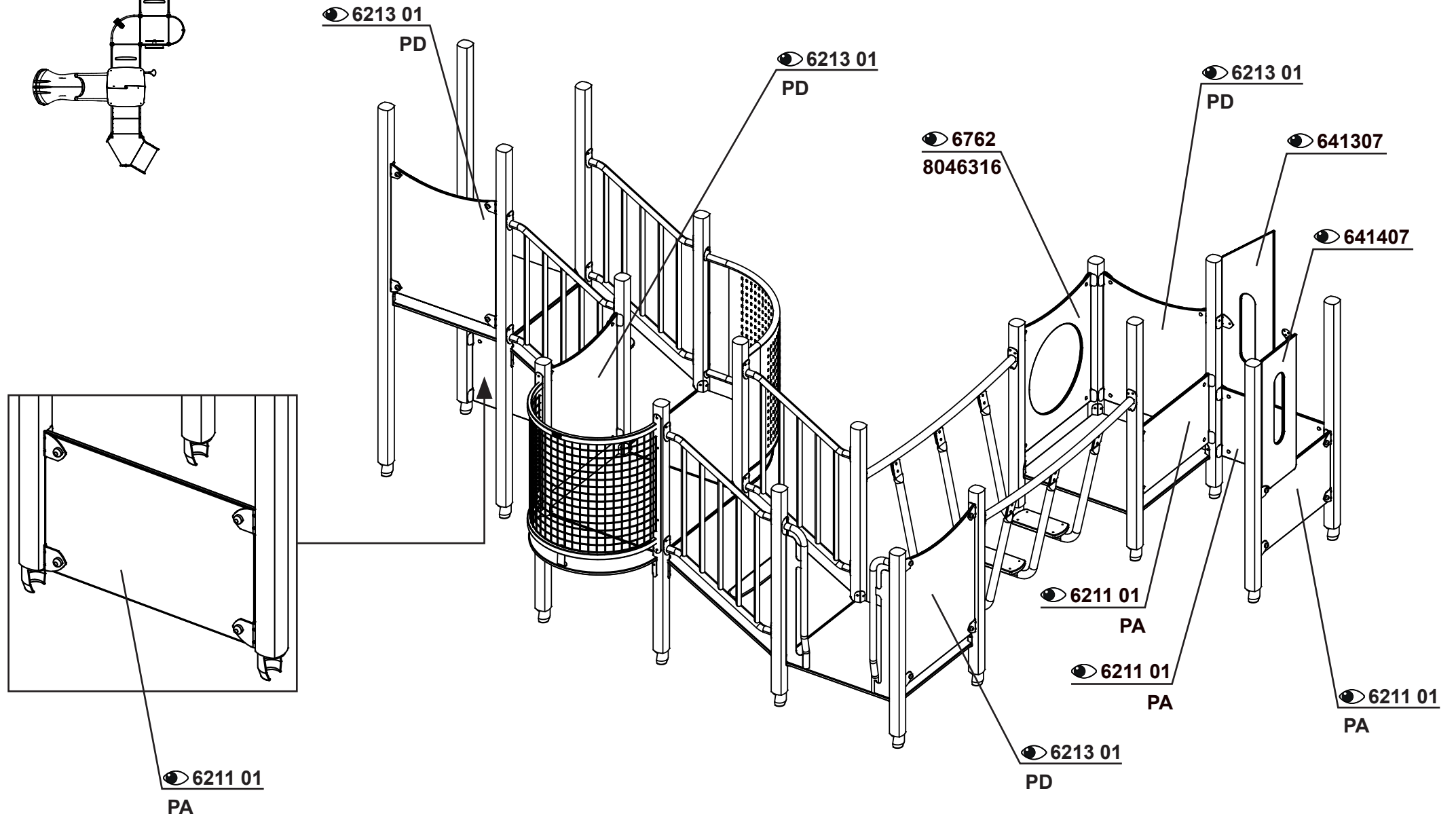
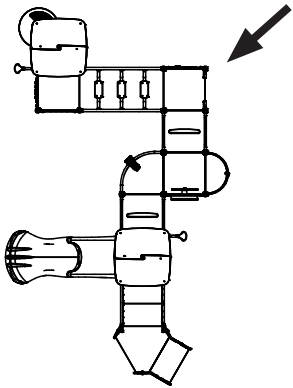
BM
Loosefill
 8111712

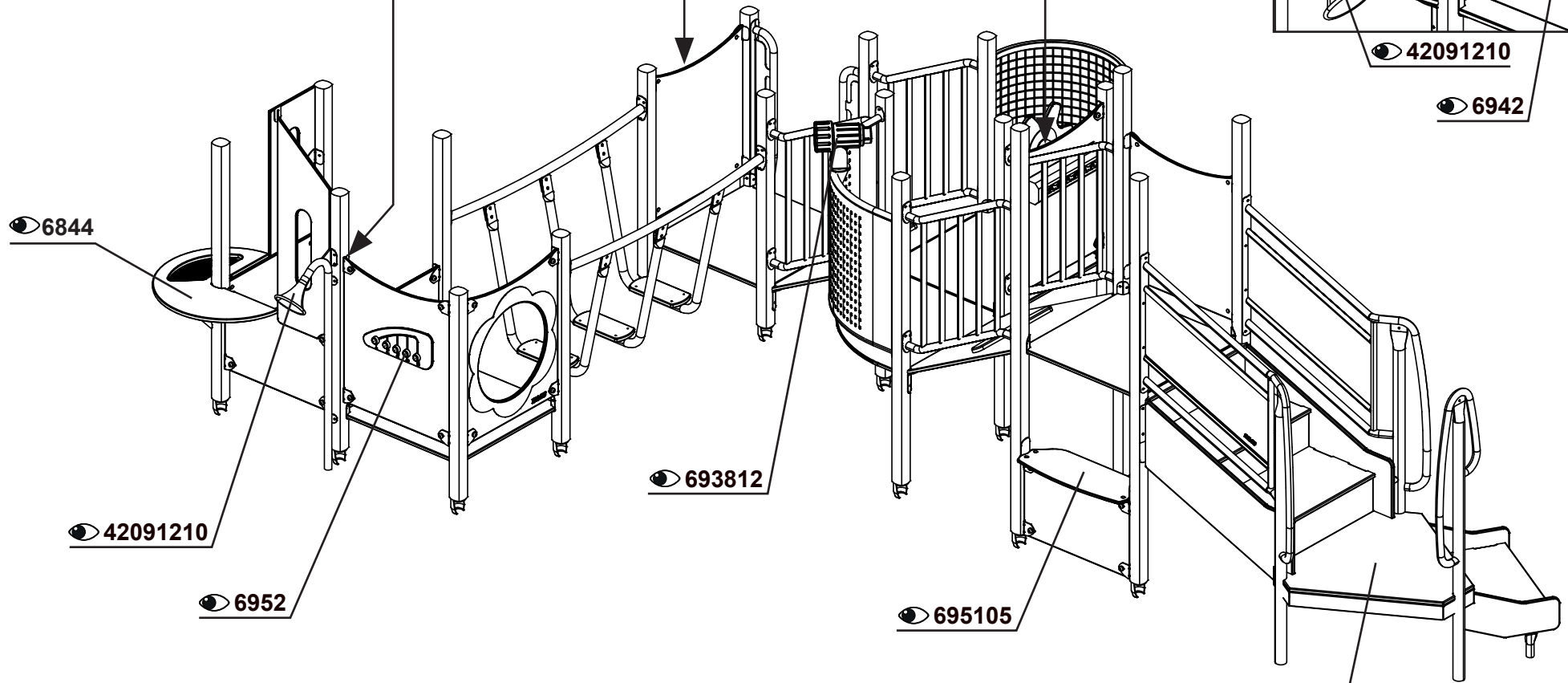
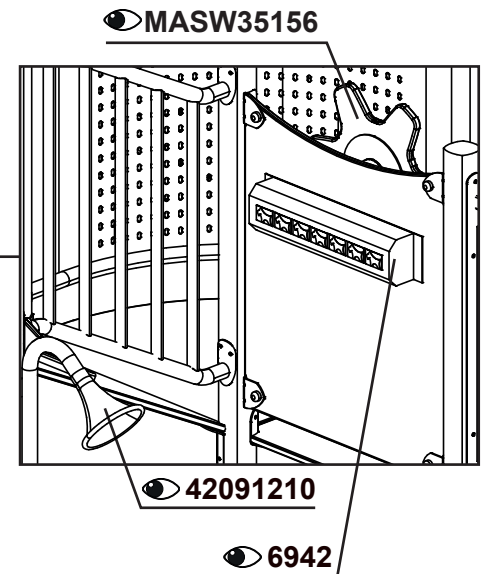
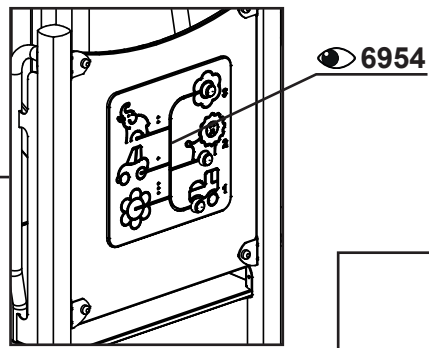
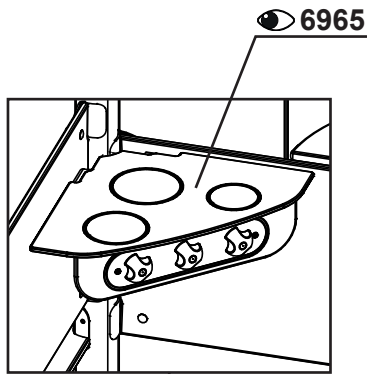
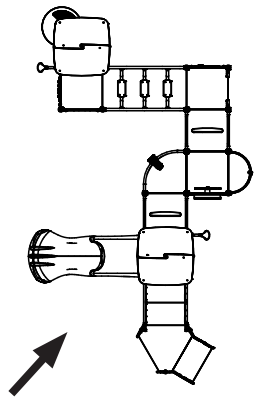


CC/BM
Cast Loosefill
 8111712









6844

42091210

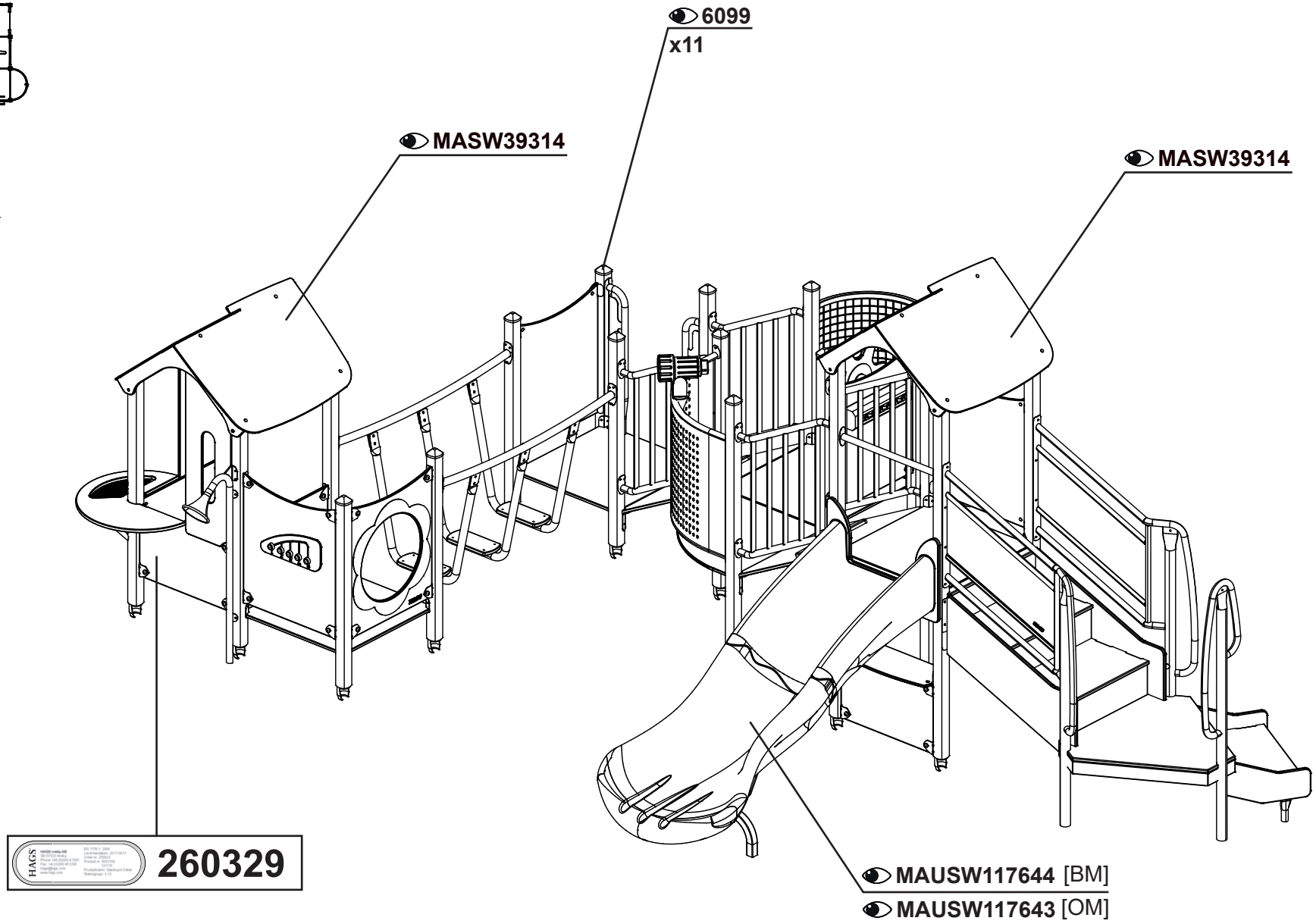
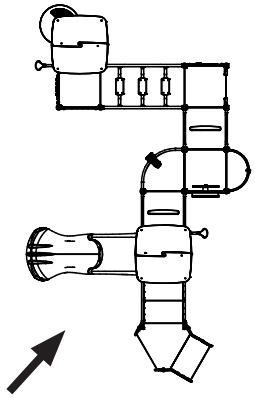
6952

693812

695105

MA624U675321 [BM]

OM675321 [OM]



HAGS
 260329